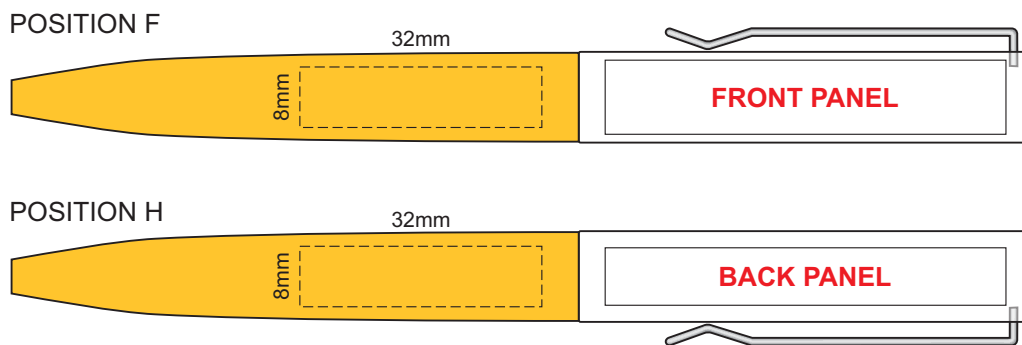


100% of Actual Size

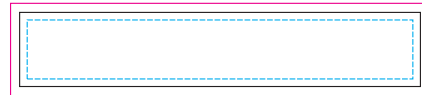


2D FLOATER
(appears on front panel only)



14 x 8.7mm

FRONT PANEL



53 x 9.8mm



22.5 x 8.7mm

BACK PANEL



53 x 7.6mm

Blue Line = The SIGNIFICANT PRINT AREA
(Keep all critical images & text within this box)

Black Line = Maximum print area

Pink Line = Bleed off to here